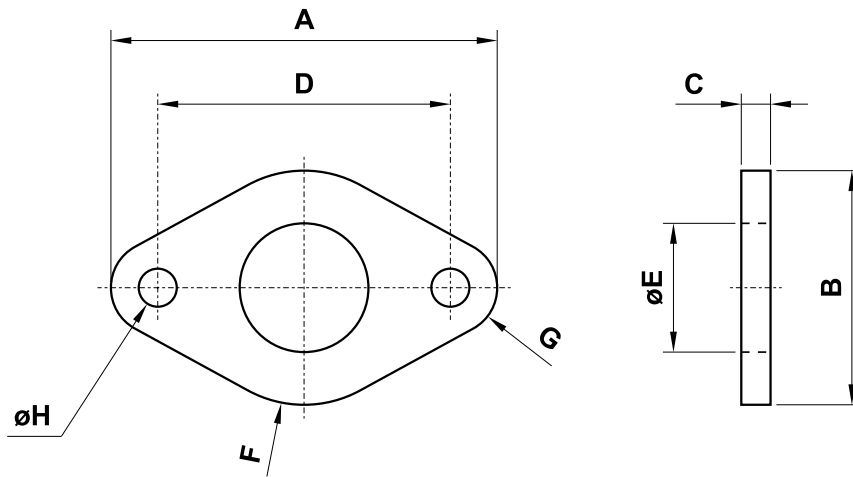


## FLANGIA



sigla part number	per alesaggio for bore	A	B	C	D	E	F	G	H
<b>FLMC08-10</b>	8-10	40	22	3	30	12	11	5	4.5
<b>FLMC12-16</b>	12-16	52	30	4	40	16	15	6	5.5
<b>FLMC20-25</b>	20-25	66	40	5	50	22	20	8	6.6