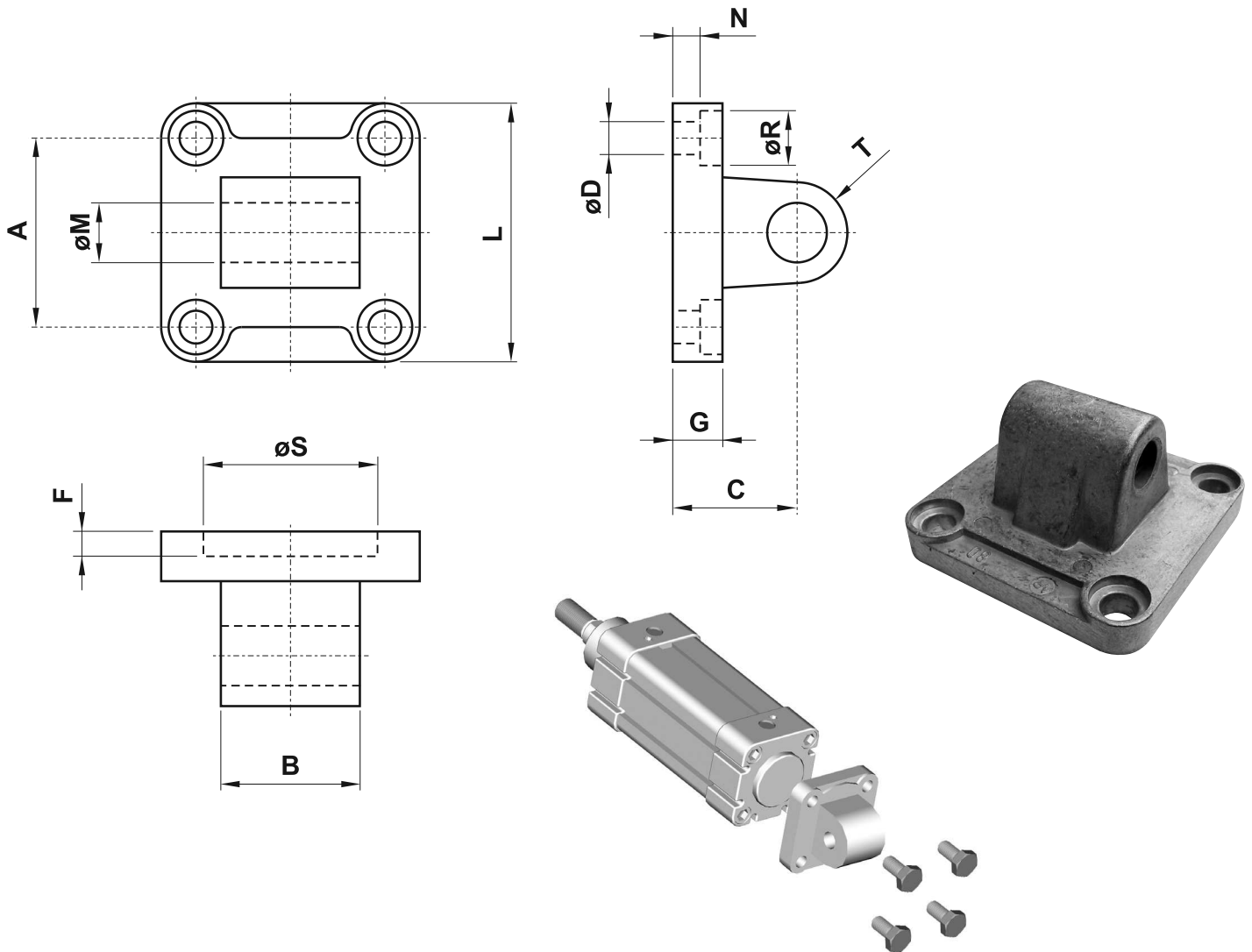


CERNIERA MASCHIO MP4 (male hinge MP4)



sigla part number	sigla part number	per alesaggio for bore	A	B	C	D	F	G	L	M	N	R	S	T
standard	con boccola di bronzo													
CMIS032	CMKS032	32	32.5	26	22	6.6	5	9	45	10	5.5	11	30	10
CMIS040	CMKS040	40	38	28	25	6.6	5	9	52	12	5.5	11	35	12
CMIS050	CMKS050	50	46.5	32	27	9	5	11	65	12	6.5	15	40	12
CMIS063	CMKS063	63	56.5	40	32	9	5	11	75	16	6.5	15	45	16
CMIS080	CMKS080	80	72	50	36	11	5	14	95	16	10	18	45	16
CMIS100	CMKS100	100	89	60	41	11	5	14	115	20	10	18	55	20
CMIS125	CMKS125	125	110	70	50	14	7	20	140	25	10	20	60	25
CMIS160	CMKS160	160	140	90	55	18	7	20	180	30	10	26	65	25
CMIS200	CMKS200	200	175	90	60	18	7	25	220	30	11	26	75	25