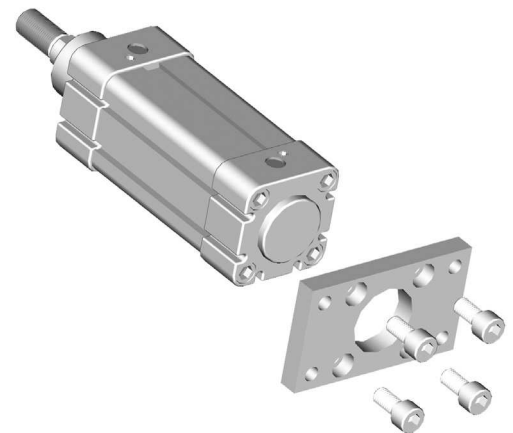
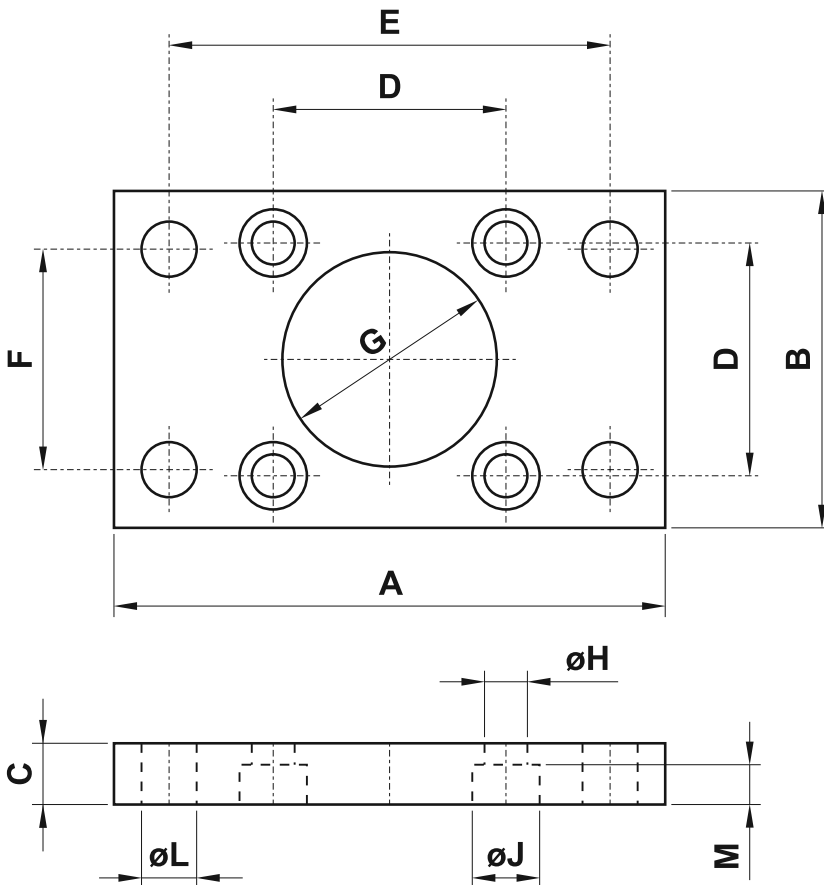


## FLANGIA (flange)



6

sigla part number	per alesaggio for bore	A	B	C	D	E	F	G	H	J	L	M
FLIS032	32	80	45	10	32.5	64	32	ø30	6.6	10.5	7	6.5
FLIS040	40	90	52	10	38	72	36	ø35	6.6	11	9	6.5
FLIS050	50	110	65	12	46.5	90	45	ø40	9	15	9	8.5
FLIS063	63	120	75	12	56.5	100	50	ø45	9	15	9	8.5
FLIS080	80	150	95	16	72	126	63	ø45	11	18	12	10.5
FLIS100	100	170	115	16	89	150	75	ø55	11	18	14	10.5
FLIS125	125	205	140	20	110	180	90	ø60	13.5	20	16	12.5
FLIS160	160	260	180	20	140	230	115	ø65	18	26	18	16.5
FLIS200	200	300	220	25	175	270	135	ø75	18	26	22	16.5