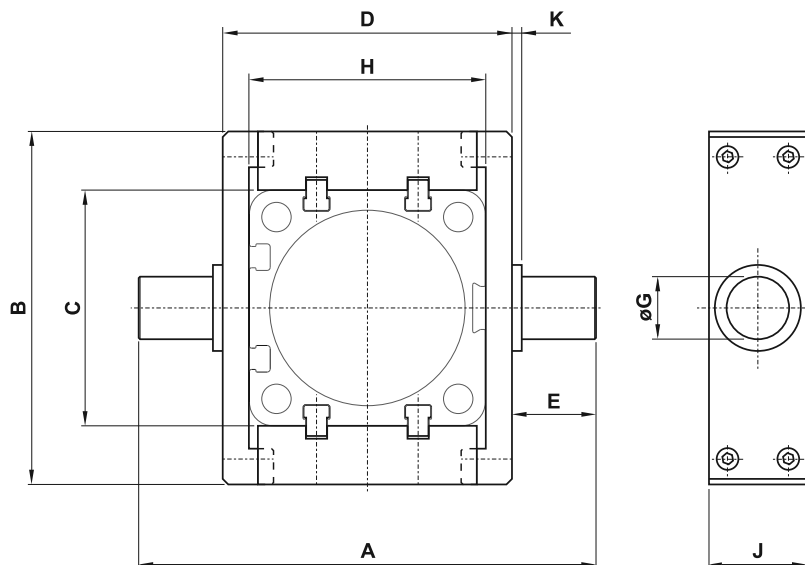
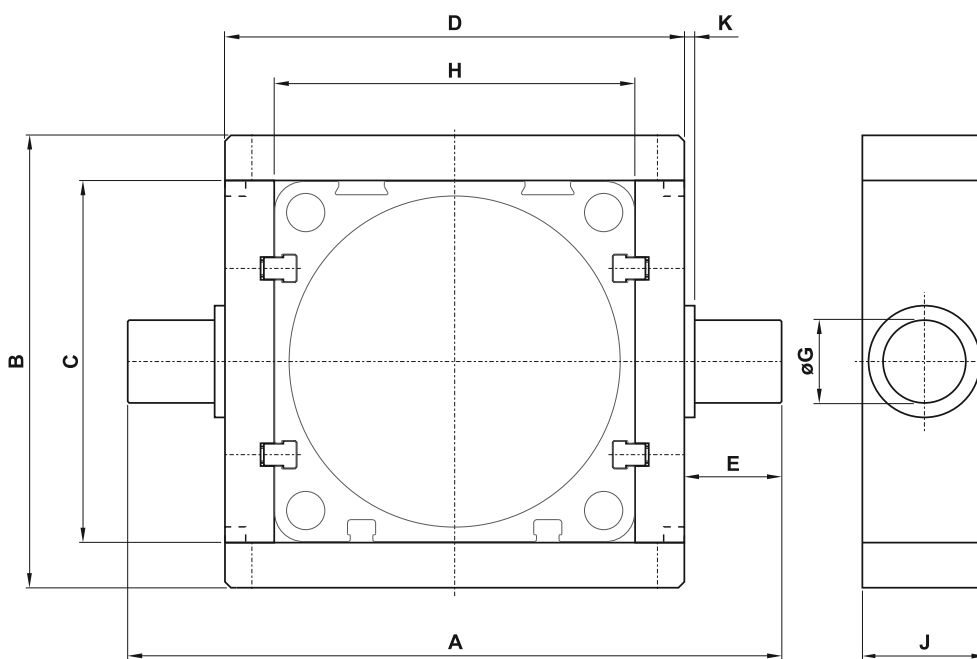


## CERNIERA INTERMEDIA PER ESTRUSO - SOLO PER SERIE "N" (intermediate trunnion - ONLY FOR SERIES "N")



alesaggi: 32, 40, 50

bores: 32, 40, 50



alesaggi: 63, 80, 100, 125

bores: 63, 80, 100, 125

sigla part number	per alesaggio for bore	A	B	C	D	E	G	H	J	K
<b>CIN032</b>	32	87	65	44.5	52	17.5	12	45	25	2
<b>CIN040</b>	40	105	74.8	50.5	62	21.5	16	51	25	2.5
<b>CIN050</b>	50	117	90.3	60.3	74	21.5	16	60.8	25	2.5
<b>CIN063</b>	63	136	94.5	70.5	91	22.5	20	70	30	2.5
<b>CIN080</b>	80	156	109.3	87.5	111	22.5	20	87	30	2.5
<b>CIN100</b>	100	195	134	106.6	129	33	25	106	40	2.5
<b>CIN125</b>	125	223	160	132.6	157	33	25	132	40	2.5

