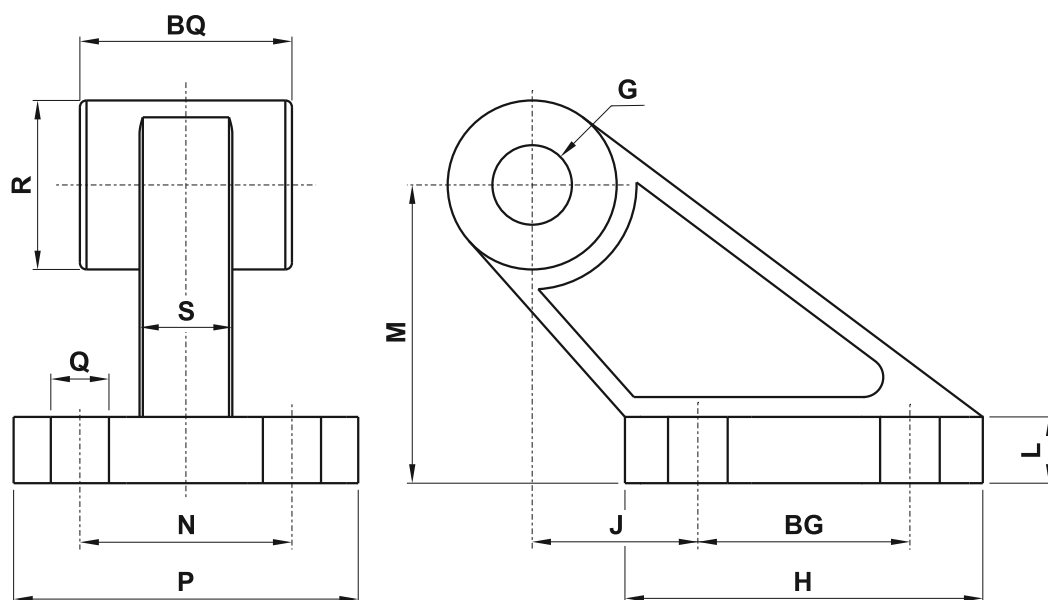


CONTROCERNIERA ORIZZONTALE A BASE RETTANGOLARE (rectangular joint) NORMA ISO 6431 - VDMA



6

sigla part number	per alesaggio for bore	Q	BG	H	J	L	M	N	P	S	R	BQ	G
COVDMA32	32	ø7	20	37	18	8	32	25	41	9	19	26	ø10
COVDMA40	40	ø9	32	54	25	10	45	32	52	14	25.5	28	ø12
COVDMA50	50	ø9	32	54	25	10	45	32	52	14	25.5	32	ø12
COVDMA63	63	ø11	50	75	32	12	63	40	63	14	32	40	ø16
COVDMA80	80	ø11	50	75	32	12	63	40	63	14	32	50	ø16
COVDMA100	100	ø14	70	103	40	17	90	50	80	22	42	60	ø20
COVDMA125	125	ø14	70	103	40	17	90	50	80	22	46	70	ø25
COVDMA160	160	ø18	110	154	50	20	140	63	110	26	53.5	89	ø30
COVDMA200	200	ø18	110	154	50	20	140	63	110	26	53.5	89	ø30