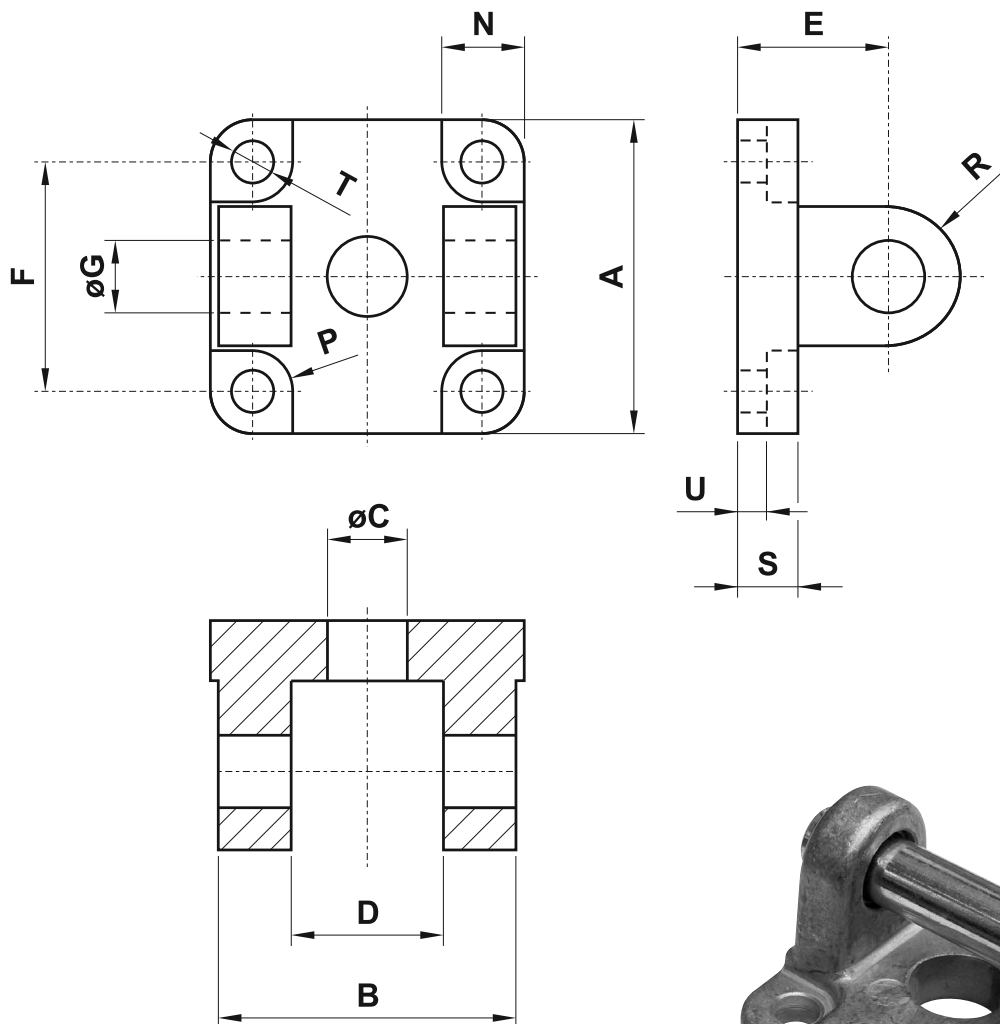


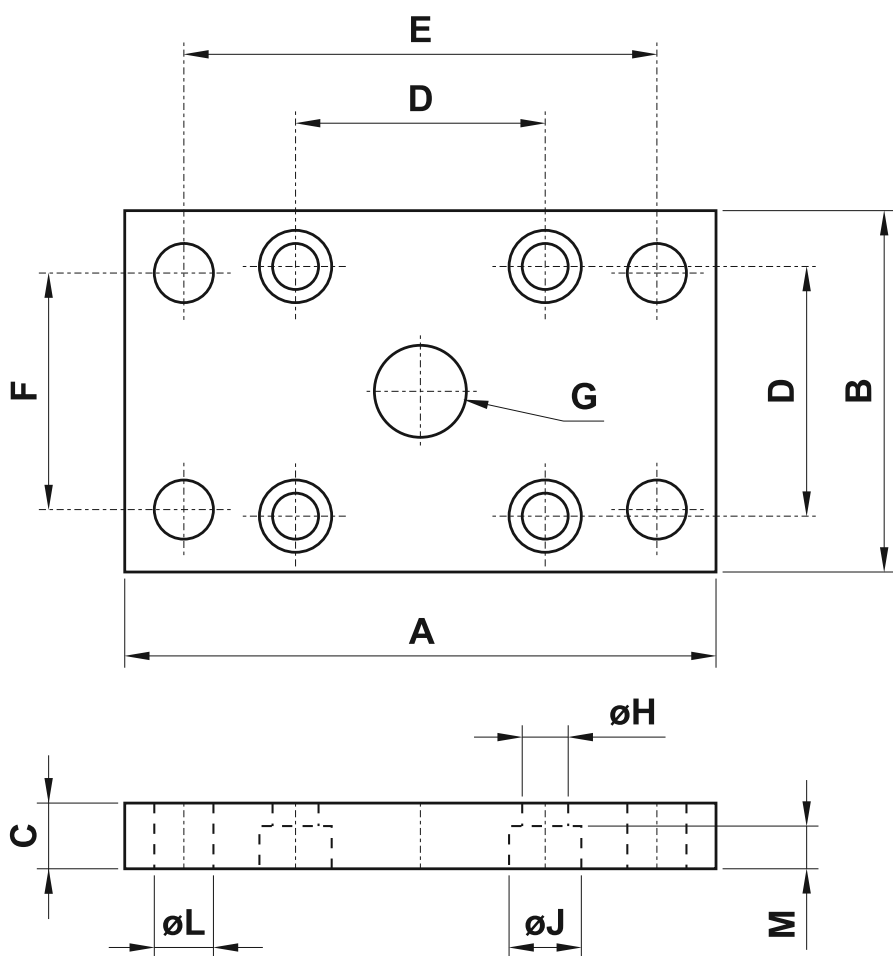
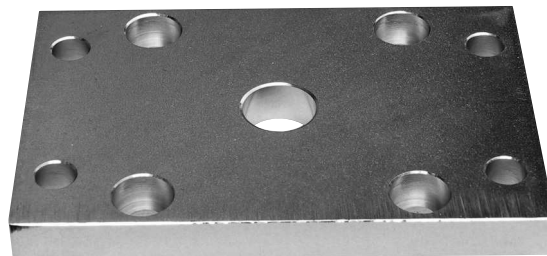
## CERNIERA FEMMINA CON PERNO



sigla part number	sigla part number	per alesaggio for bore	A	B	C	D	E	F	G	N	P	R	S	T	U
standard	con boccia di bronzo														
<b>CFUN032</b>	<b>CFKN032</b>	32	48	45	14	26	22	32	10	13.5	5.5	10	9	6.6	5.5
<b>CFUN040</b>	<b>CFKN040</b>	40	58	52	14	28	25	42	12	13.5	5.5	12.5	9	6.6	5.5
<b>CFUN050</b>	<b>CFKN050</b>	50	66	60	18	32	27	50	12	15.5	7.5	12.5	11	9	6.5
<b>CFUN063</b>	<b>CFKN063</b>	63	83	70	18	40	32	62	16	18	7.5	15	11	11	6.5
<b>CFUN080</b>	<b>CFKN080</b>	80	102	90	23	50	36	82	16	19	9	15	13	11	10
<b>CFUN100</b>	<b>CFKN100</b>	100	123	110	28	60	41	103	20	19	9	20	15	11	10

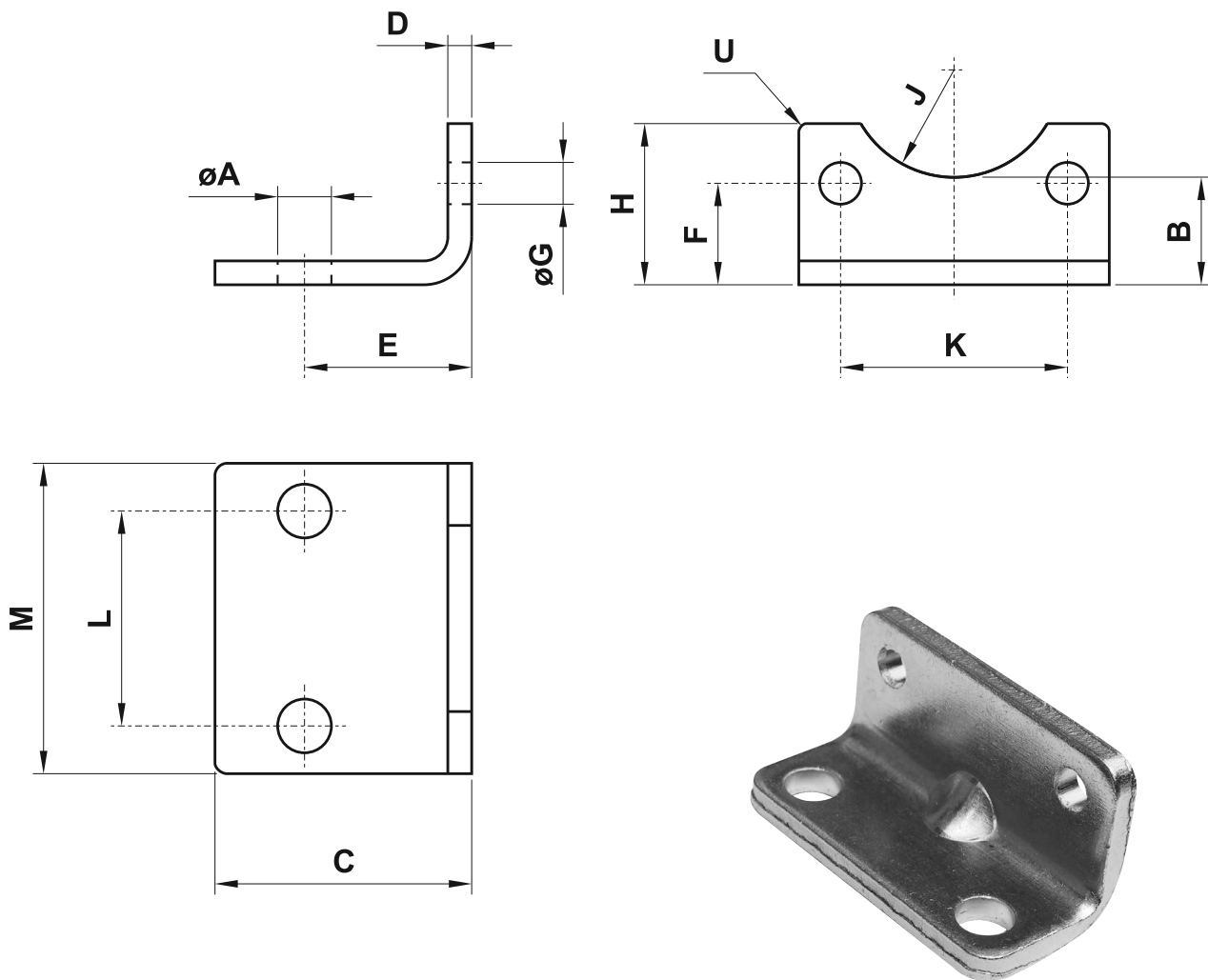


## FLANGIA



sigla part number	per alesaggio for bore	A	B	C	D	E	F	G	H	J	L	M
FLUN032	32	80	50	10	32	65	32	$\phi 14$	6.6	11	7	6.4
FLUN040	40	102	60	10	42	82	36	$\phi 14$	6.6	11	9	6.4
FLUN050	50	110	68	12	50	90	45	$\phi 18$	9	15	9	8.6
FLUN063	63	130	87	15	62	110	50	$\phi 18$	11	15	9	8.6
FLUN080	80	160	107	15	82	135	63	$\phi 23$	11	18	12	10.6
FLUN100	100	190	128	15	103	163	75	$\phi 28$	11	18	14	10.6

## PIEDINO



sigla* part number*	per alesaggio for bore	A	B	C	D	E	F	G	H	J	K	L	M	U
<b>PBUN032</b>	32	6.6	20	26	5	18	16	6.6	24	12	32	32	50	2
<b>PBUN040</b>	40	9	-	28	5	20	21.5	6.6	29.5	-	42	42	60	5
<b>PBUN050</b>	50	9	-	32	6	24	22	9	30	-	50	50	68	5
<b>PBUN063</b>	63	11	-	39	6	27	28.5	11	39	-	62	62	84	5
<b>PBUN080</b>	80	11	-	42	8	30	24.5	11	36.5	-	82	82	102	5
<b>PBUN100</b>	100	13.5	-	45	8	33	26.5	11	38.5	-	103	103	123	5

\* La sigla si riferisce a un solo piedino e non alla coppia

\* The part number is referred to only one element and not to the couple